

City of Locust

P.O. Box 190

Phone: (704) 888-5260

Fax: (704) 888-1566

Planning and Zoning Department

APPLICATION FOR SEWER CONNECTION PERMIT

DATE: _____

NAME OF HOMEOWNER: _____

PROPERTY ADDRESS: _____

OWNER'S ADDRESS IF DIFFERENT FROM PROPERTY ADDRESS: _____

PHONE NUMBER(S): _____

INSTALLING CONTRACTOR: _____

CONTRACTOR ADDRESS: _____

CONTRACTOR PHONE NUMBER(S): _____

TYPE OF STRUCTURE: _____

PROPOSED DATE OF CONSTRUCTION: _____

In accordance with the City of Locust Wastewater Collection System Policies, connection for service requires an application for a sewer connection permit. Prior to any sewer excavation or construction, the owner or installing contractor must apply for and receive a sewer connection permit. Before a sewer line may be buried or put to use, it must be inspected and approved by an inspector from the City of Locust to insure compliance with minimum requirements for design, materials and workmanship.

The property owner may not have any outstanding fees related to this property or another located within the City of Locust wastewater collection system. Any outstanding balance plus all applicable fees including tap fees and capacity fees must be paid prior to application approval.

_____ Initial

Notification of 72 hours (excluding weekends and holidays) required for inspection. Any owner/contractor making connection to the City of Locust Wastewater Collection System without a permit will be subject to a minimum fine of \$250.00.

By signing below, the applicant acknowledges that he (she) is aware of all requirements regarding sewer connection and will not violate the City of Locust policies regarding sewer connection.

APPLICANT SIGNATURE

DATE

For Office Use Only:

Date Received: _____

Received By: _____

Application Approved By: _____

Date Approved: _____



Thermoplastic Valves Sewer Disconnect

Spears® Sewer Disconnect functions as both cleanout and disconnect device, plus helps prevent sewage backup during hurricanes and floods. Complete unit consists of body and plunger (sold separately - both parts are required for proper use). The plunger can be screwed into the body to block solids waste flow. The plunger should be removed from the body and stored when not in use to prevent accidental closing (i.e., from ground vibration, etc.).

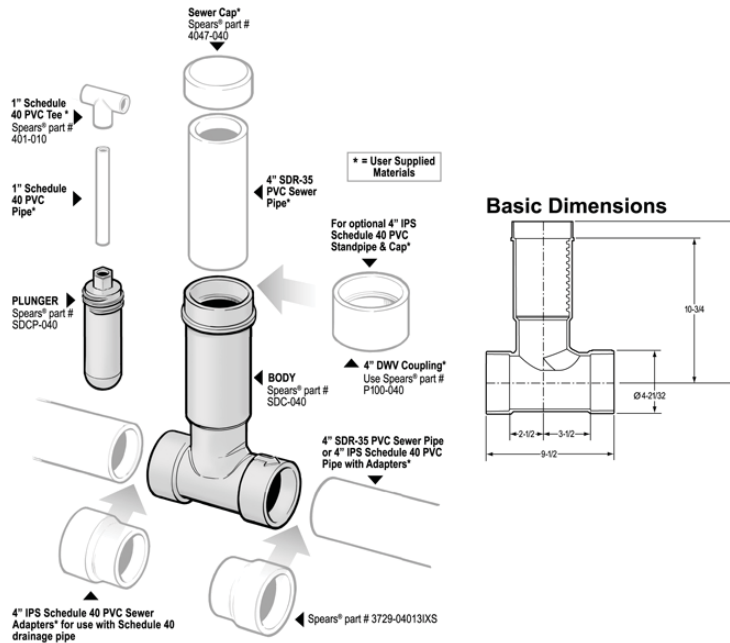


- Connects directly to 4" SDR-35 (or any ASTM D3034/D2729) PVC Sewer Pipe.
- Easily adapted to 4" Schedule 40 PVC Drainage Pipe with addition of IPS x Sewer Adapters, Socket x Spigot, Spears® part no. 3729-04013IXS.
- User-supplied standpipe can be installed to grade using PVC Sewer Pipe connected to the body branch socket and a Sewer Cap to close off (Spears® part no. 4047-040). Optionally, user-supplied Schedule 40 Pipe can be used for standpipe with addition of a Schedule 40 DWV Socket Coupling (Spears® part no. P100-040) and Cap (Spears® part no. P116-040).
- T-handle for Plunger operation can be easily fabricated from user-supplied 1" Schedule 40 Pipe and Tee fitting (Spears® part no. 401-010).



Note - the unit restricts flow by approximately 85%. As a result, the unit must be located in the sewer line where solids are present. Full disconnect is not achieved without solids in the flow.

Auxiliary Components (Purchased Separately)



Sewer Disconnect Body

Part Number	Size	Std Pk	Mstr Ctn	Disc Code	Price Each
SDC-040	4	6	0	055	72.66

Sewer Socket X Sewer Socket.

Requires Separate Purchase of SDCP-040 Plunger

Requires Purchase of SDCP-040 Plunger

SDC-040	4	6	0	055	72.66
---------	---	---	---	-----	-------

Sewer Disconnect Plunger

Part Number	Size	Std Pk	Mstr Ctn	Disc Code	Price Each
SDCP-040	4	12	0	055	25.02

For Use With Sewer Disconnect

Body. Requires Separate Purchase of SDC-040 Body

Requires Purchase of SDC-040 Body

SDCP-040	4	12	0	055	25.02
----------	---	----	---	-----	-------

Optional IPS x SEWER Adapter

IPS Socket x Sewer Spigot for adapting Sewer Disconnect Body to Schedule 40 drainage pipe



3729-04013IXS	4	1	90	399	17.51
---------------	---	---	----	-----	-------



SPEARS® SEWER DISCONNECT CLEANOUT INSTALLATION INSTRUCTIONS

SDC-3A-0309

Spears® Sewer Disconnect functions as both cleanout and disconnect device. This is a 2-piece unit consisting of body and plunger (sold separately - both parts are required for proper use). The plunger can be screwed into the body to block solids waste flow. The plunger should be removed from the body when not in use to prevent accidental closing (i.e. from ground vibration, etc.)

Sewer Disconnect body connects directly to 4" SDR-35 (or any ASTM D3034/D2729) PVC Sewer Pipe (4.215" O.D.), but can be easily adapted to 4" IPS Schedule 40 PVC Pipe (4.500" O.D.) using IPS x Sewer Adapters, Socket x Spigot, available from Spears®. A user supplied standpipe can be installed to grade using PVC Sewer Pipe connected to the body branch socket and a Sewer Cap to close off. The branch outlet will also accept a Schedule 40 Socket Coupling to adapt to PVC Schedule 40 Pipe for standpipe and a Schedule 40 Cap.

The plunger has a hex at the top for screw-down operation or accepts a user supplied length of 1" Schedule 40 PVC Pipe with a Tee cemented to the plunger socket to serve as a tee-handle extension for easy operation, as illustrated.

Read instructions thoroughly before starting. Suitability of the intended service should be determined prior to installation. Installer must be trained in proper solvent cementing methods.

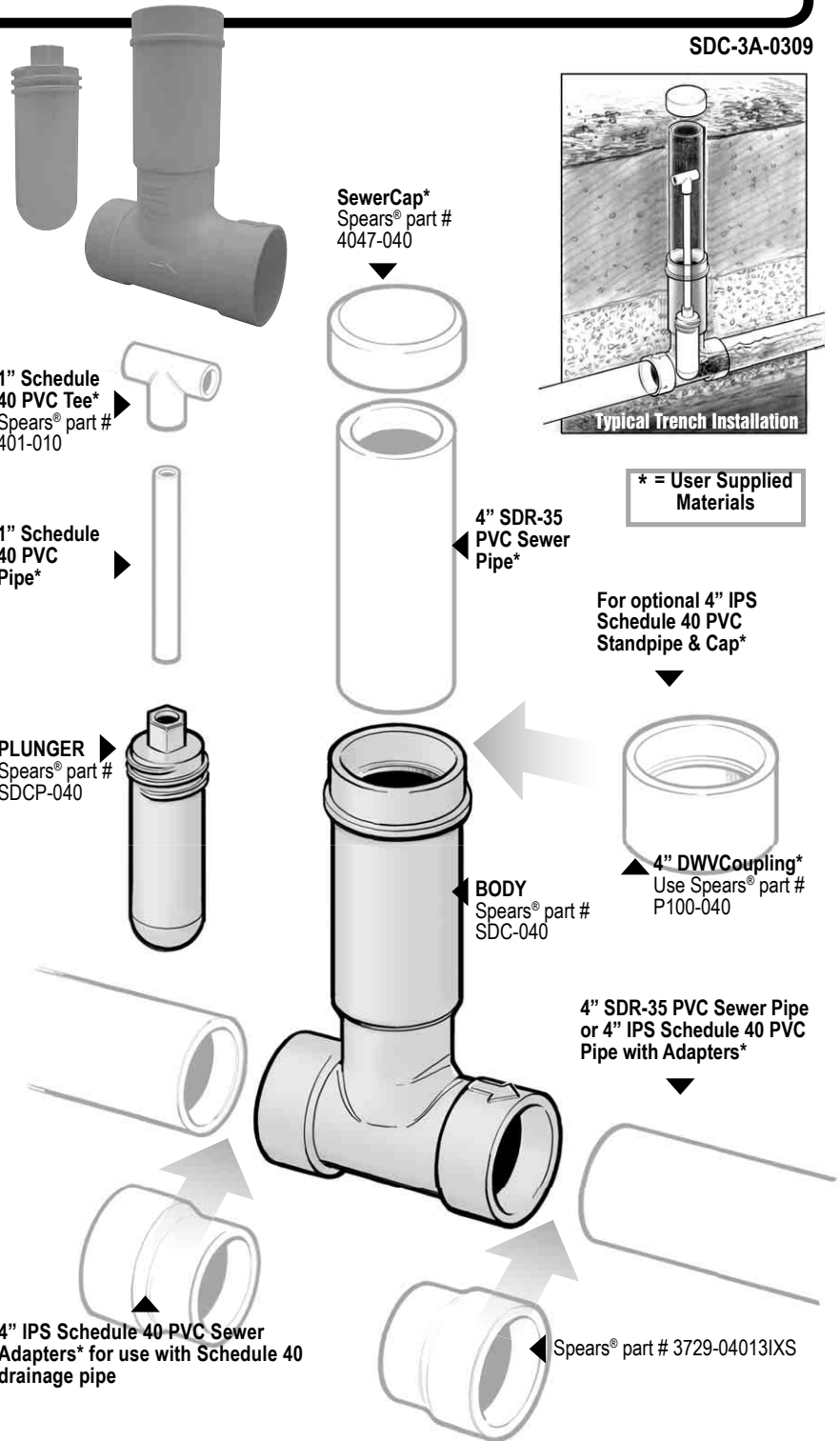
Sewer Disconnect Body Installation - If attaching to Schedule 40 Pipe line, first solvent cement IPS x Sewer Adapters (purchased separately) into body inlet and outlet. Place body on compacted soil with attention to flow arrow direction. Solvent cement body to inlet pipe being sure the body-branch is plumb in a vertical position. Solvent cement outlet pipe to opposite end of body.

Fabricate Standpipe (User Supplied Materials) - If using standard 4" Sewer Pipe (i.e., SDR-35), the standpipe will connect to the internal socket of the body-branch. If using 4" Schedule 40 Pipe, a 4" Schedule 40 Coupling must first be solvent cemented to the external spigot of the body-branch. Cut standpipe according to distance measured from body-branch socket or installed coupling pipe-stop up to desired grade level.

Standpipe Assembly - Solvent cement standpipe to body branch socket (or Sch 40 Coupling) being sure to maintain the standpipe vertical and plumb. (backfill and bed assembly while maintaining vertical position). Appropriate 4" socket cap may be installed loose at standpipe opening for closure.

Fabricate T-Handle Extension (User Supplied Materials) - Cut 1" PVC Schedule 40 Pipe 5" shorter than standpipe cut-length. Solvent cement pipe into plunger socket and cement tee-branch to opposite end.

Sewer Disconnect Operation - Remove closure cap, insert plunger with T-handle extension into standpipe and rotate clockwise to engage in body. Continue turning clockwise into body until plunger reaches bottom and stops against the body. Do not over tighten. Reverse (counterclockwise) rotation to remove plunger assembly.



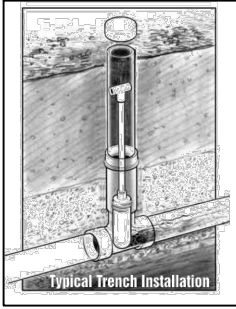
* = User Supplied Materials

- NOTE:**
- IMPORTANT** - The unit restrict flow by approximately 85%, therefore the unit must be located in the sewer line where solids are present. Full disconnect cannot be achieved without solids in the flow.
 - Add extra bedding around Body and Standpipe to maintain vertical plumb while backfilling trench.
 - REMOVE** Plunger assembly from unit when not in use. Store in shaded area.

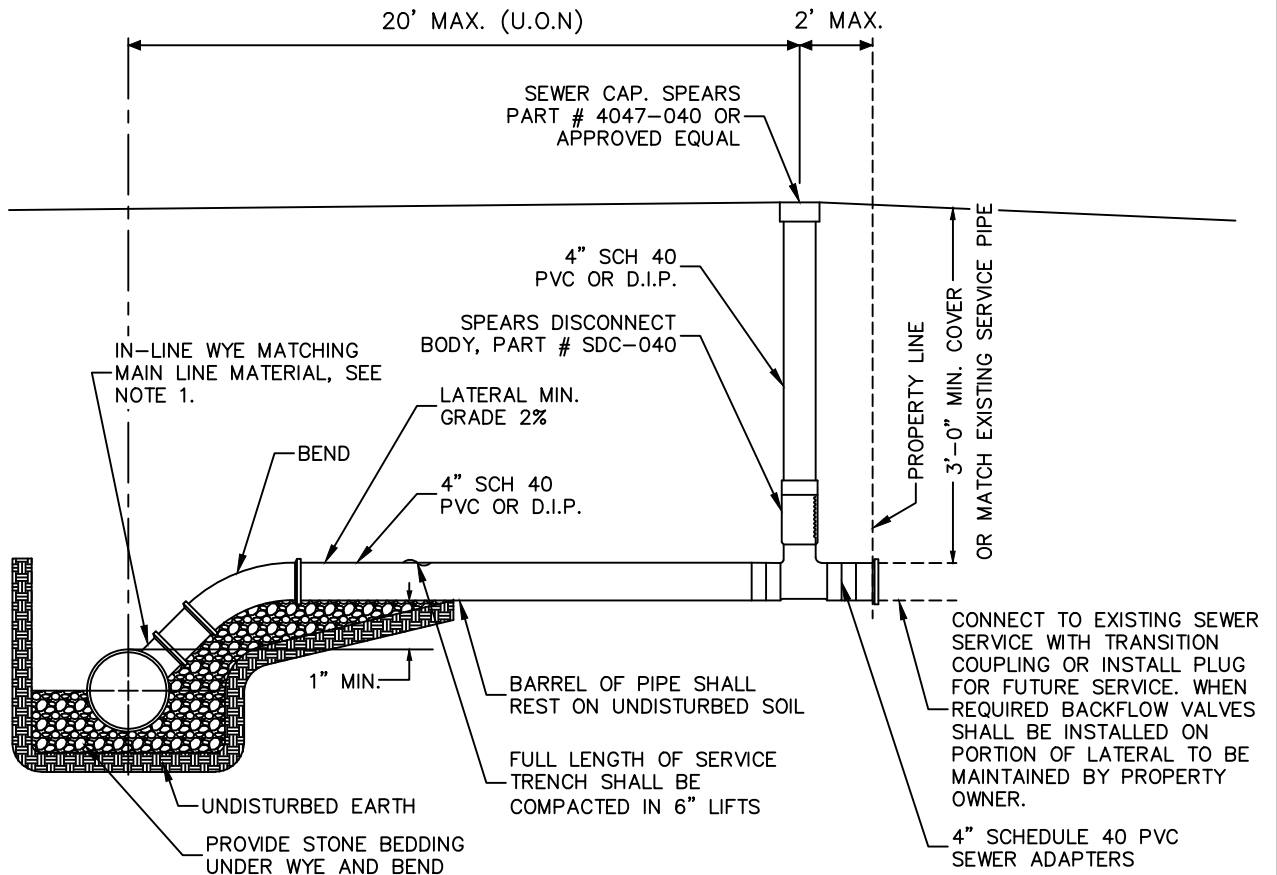
WARNING: DO NOT USE COMPRESSED AIR OR GAS TO TEST ANY PVC THERMOPLASTIC PIPING PRODUCT OR SYSTEM, AND DO NOT USE DEVICES PROPELLED BY COMPRESSED AIR OR GAS TO CLEAR SYSTEMS. THESE PRACTICES MAY RESULT IN EXPLOSIVE FRAGMENTATION OF SYSTEM PIPING AND COMPONENTS CAUSING SERIOUS OR FATAL BODILY INJURY.

SPEARS® MANUFACTURING COMPANY • CORPORATE OFFICE
 15853 Olden St., Sylmar, CA 91342
 PO Box 9203, Sylmar, CA 91392
 (818) 364-1611 • www.spearsmfg.com



SPEARS SEWER DISCONNECT
CLEANOUT TYPICAL INSTALLATION



NOTE:
1. TAPPING SADDLES ARE APPROVED FOR CONNECTIONS TO EXISTING SEWER LINES ONLY



SANITARY SEWER SERVICE DETAIL

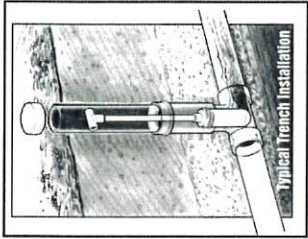
CITY OF LOCUST

NORTH CAROLINA

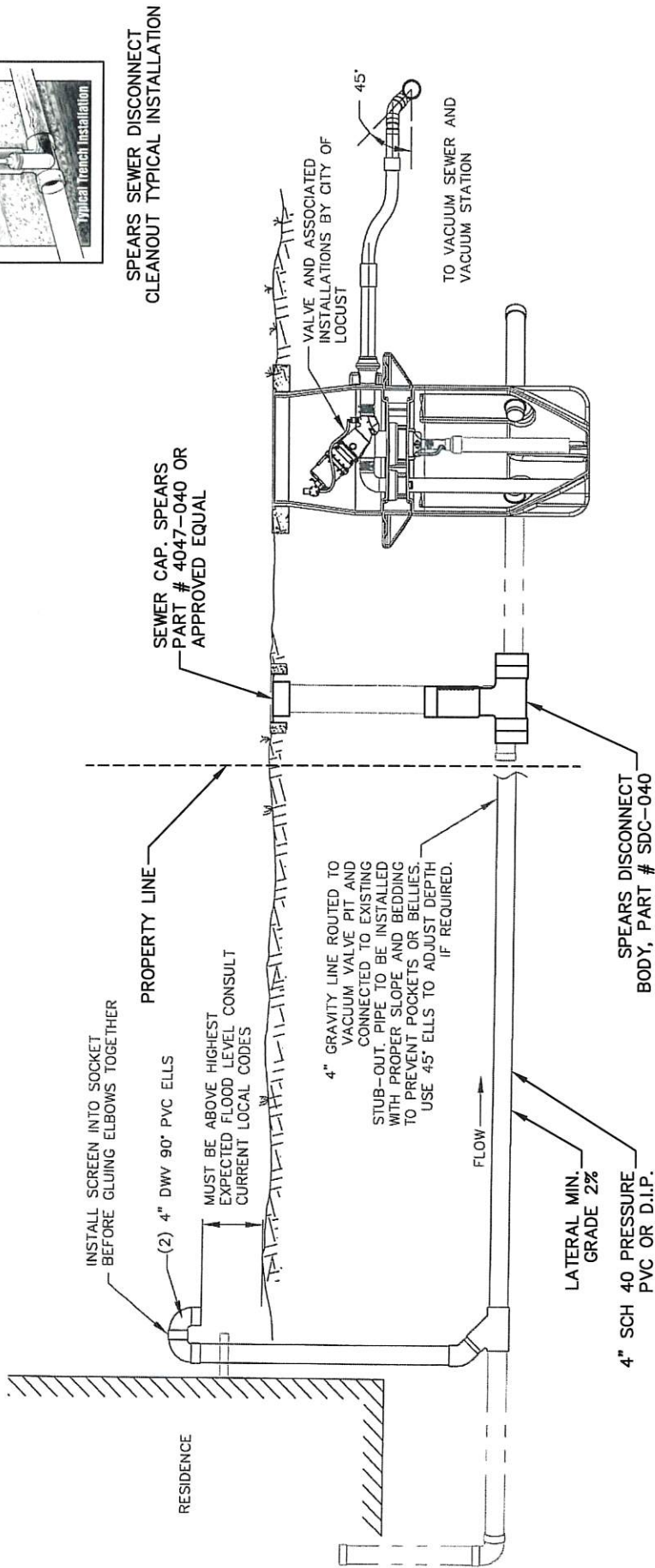
SCALE: NTS

DATE: 5/24/2017

FIGURE:



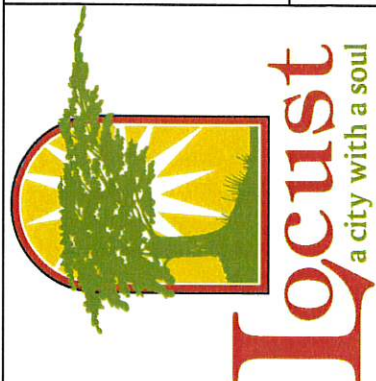
SPEAR'S SEWER DISCONNECT
CLEANOUT TYPICAL INSTALLATION



TYPICAL VALVE PIT AFTER HOOK-UP DETAIL

CITY OF LOCUST

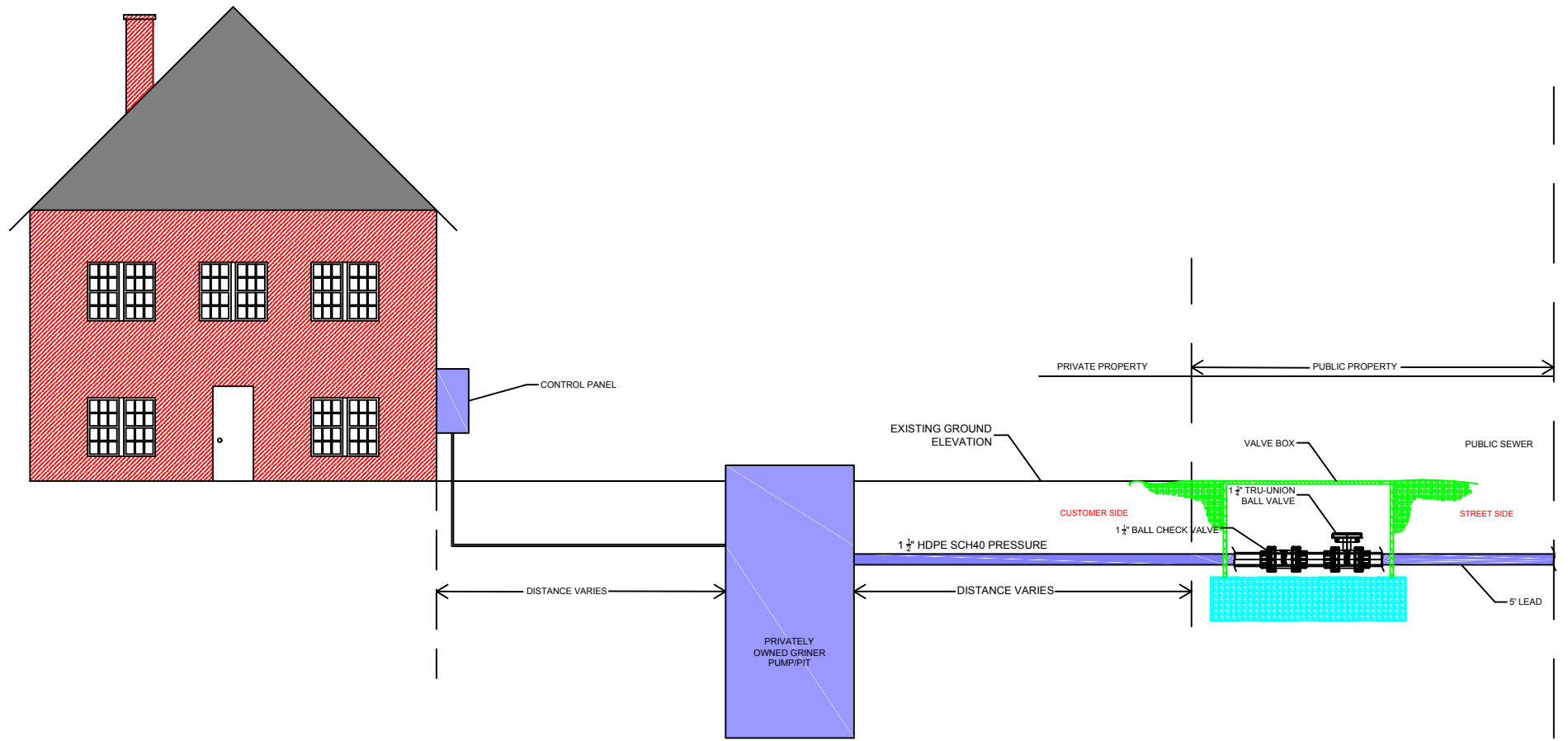
NORTH CAROLINA



SCALE: NTS

DATE: 5/24/2017

FIGURE:



CUSTOMER SIDE LOW PRESSURE SEWER CONNECTION

CITY OF LOCUST

NORTH CAROLINA

SCALE: NTS

DATE: 5/24/2017

FIGURE:

